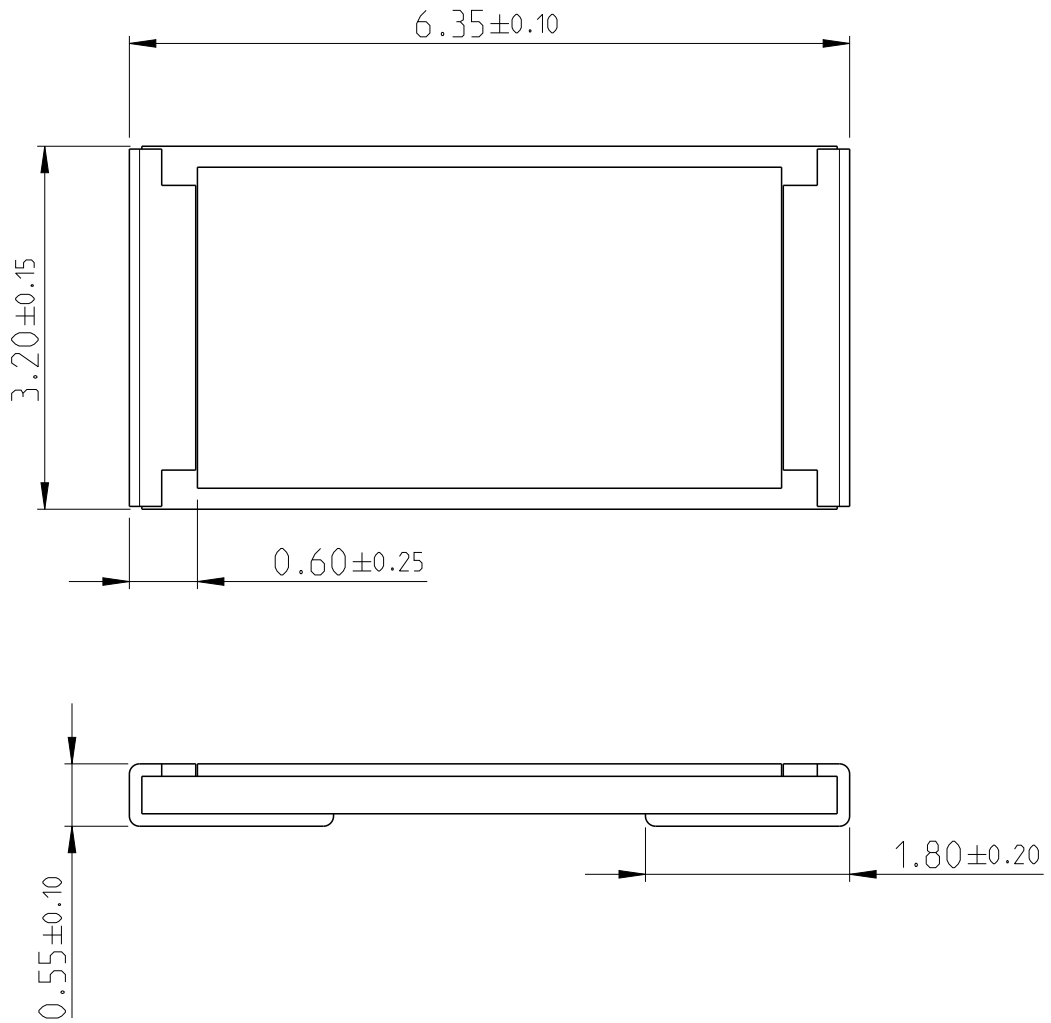


LOC	DIST	REVISIONS					
-	-	P	LTR	DESCRIPTION	DATE	DWN	APVD
		BB1	ECR-15-009468		23JUN2015	KR	TN

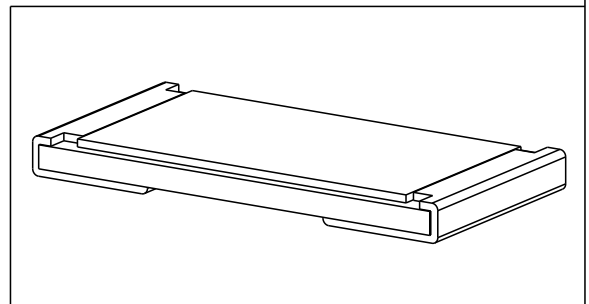


FOR FURTHER INFORMATION SEE DATA SHEET FOR 3521 SERIES

RoHS Compliant



PDB LAYOUT PLAN





RELEASED FOR PUBLICATION

THIS DRAWING IS UNPUBLISHED.

ALL RIGHTS RESERVED.

BY -

© COPYRIGHT 20

DIMENSIONS:	DWN	15MAR2012	MATERIAL	FINISH		
mm	DARSHAN MS		-	-		
TOLERANCES UNLESS OTHERWISE SPECIFIED:	CHK	15MAR2012	 TE Connectivity			
0 PLC ±	ALLAN P					
1 PLC ±0.5	APVD	15MAR2012				
2 PLC ±0.13	STEPHEN.P		NAME			
3 PLC ±0.013	PRODUCT SPEC		SMD POWER			
4 PLC ±0.0001	APPLICATION SPEC		RESISTORS - TYPE 3521 SERIES			
ANGLES ±	WEIGHT	0.03806 Gram	SIZE	CAGE CODE	DRAWING NO	RESTRICTED TO
			A 4	00779	C-2176070	-
Customer Drawing			SCALE	SHEET	OF	REV
			40:1	1	1	BB1